

Third Round

4 Person

The Third Round Table features a multi-layered table with the beauty of a smooth Bamboo tabletop. The dual levels of the four-person cafe-style table are woven together by a series of tapered legs and stylish supports. Bamboo end grain is exposed along the edges highlighting the material's composition. The Third Round is made entirely of Bamboo.

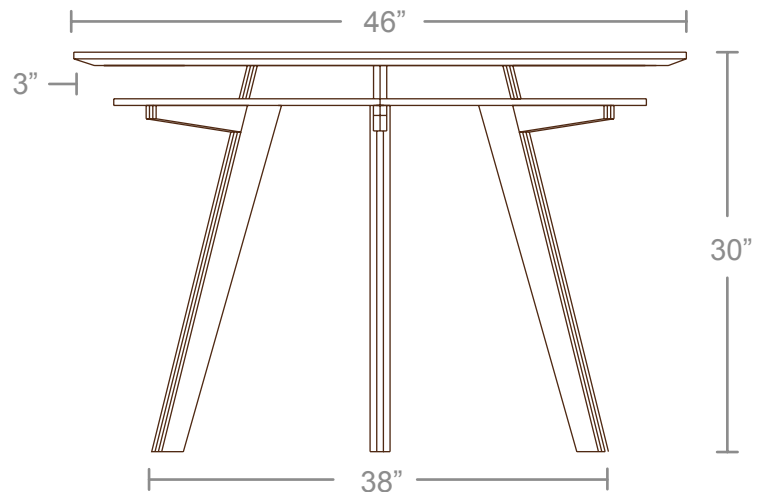


Features

- » Ample Secondary Storage Surface
- » Quick Slot Fit Assembly

Options

- » Amber/Natural Bamboo (pictured) or Chocolate/Natural Bamboo
- » Also Available in 6 Person Size



Green Materials

- » Rapidly Renewable Bamboo
- » Non-Toxic Water-Based Durable Finish
- » Decreased material waste in Production
- » Made In the USA

BRAVE SPACE DESIGN
MODERN MADE GREEN

bravespacedesign.com