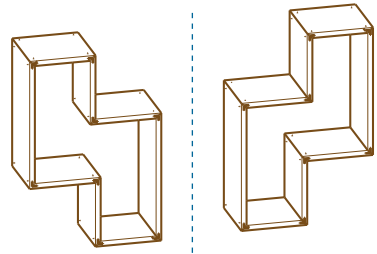


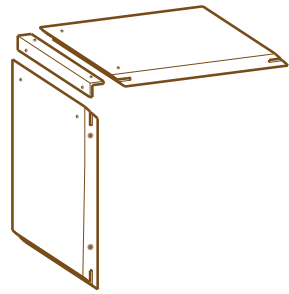
TETRAD FLAT: SOME ASSEMBLY REQUIRED

BRAVE SPACE DESIGN

CHECK TO SEE IF BLOCKS ARE:
LEFT OR RIGHT



ALWAYS START WITH
INSIDE ANGLES:



FRAMING SCREWS

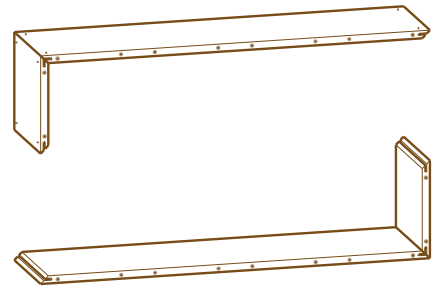


USE FOR EXTERIOR ASSEMBLY

BACKING SCREWS



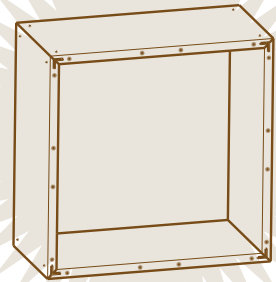
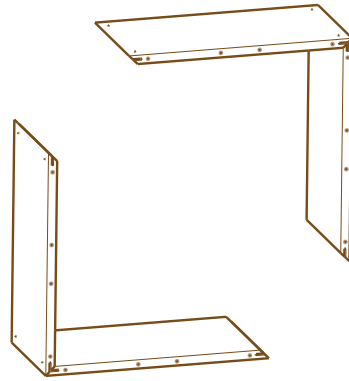
USE TO ATTACH BACKING



4x 

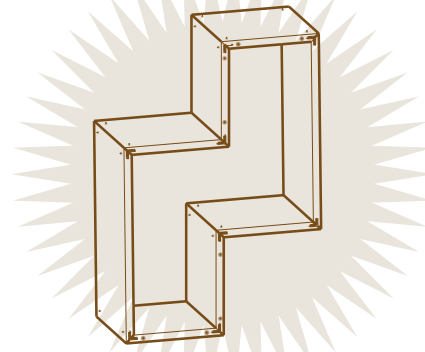
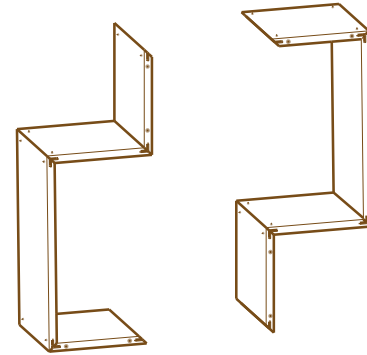
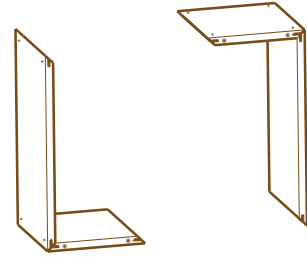
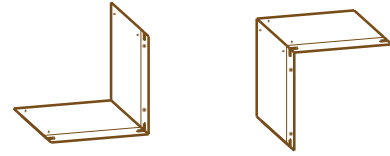
2x 

2x 



4x 

4x 

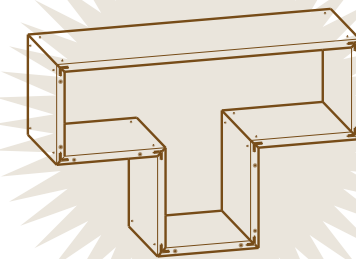
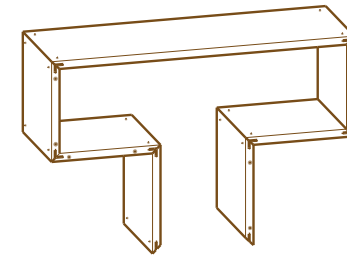
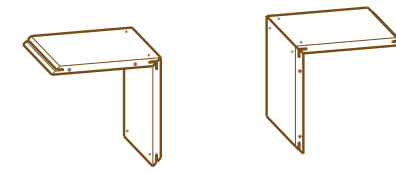


8x 

2x 

4x 

2x 

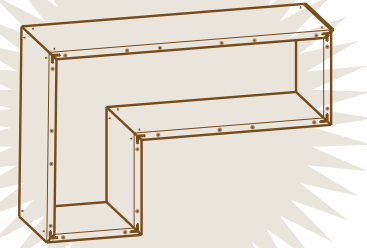
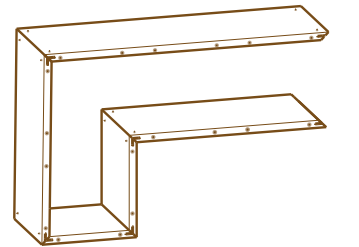
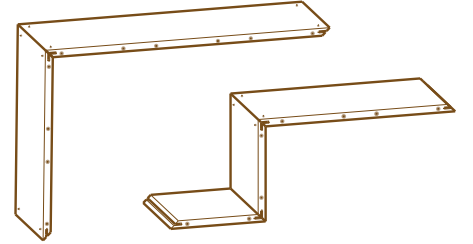
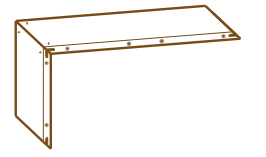


8x 

3x 

4x 


1x 



6x 

2x 

1x 

1x 

1x 

1x 

TETRAD FLAT: ORDER OF ASSEMBLY